

CLIX

SOCO  
INNOVATION

# RETURN TO FREEDOM



# BOSCH ENGINE

Customized developing for city transportation.

Energy conversion

89%

Max torque

50N.m

Rated power

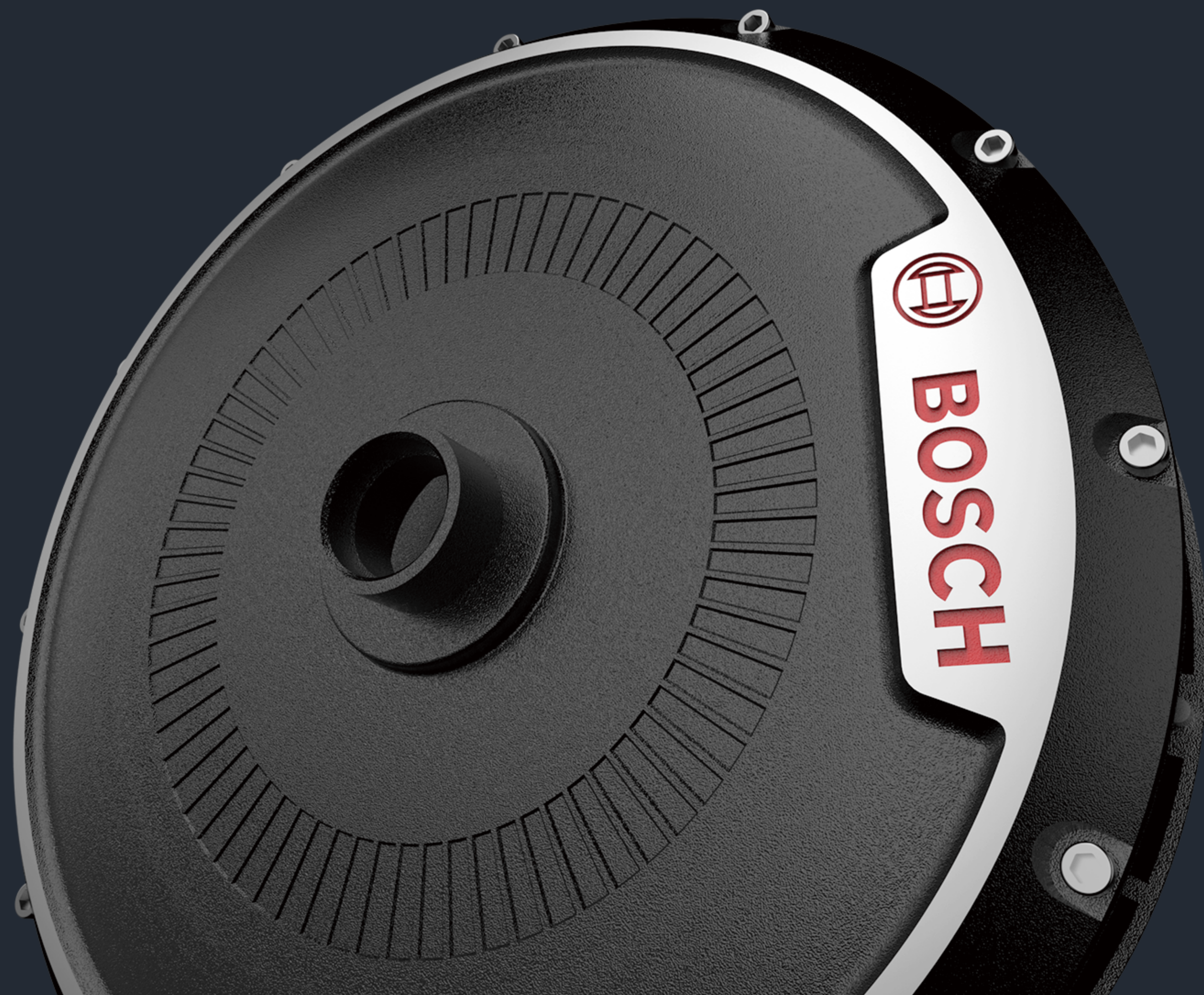
1600<sub>w</sub>

Rated RPM

560<sub>rpm</sub>

Max. speed (EU)

45<sub>km/h</sub>



## EYES OF WISDOM Intelligent sensing head light

Symmetrical U Design, integrated daylight and indicators. Hidden LED head light (high beam and low beam included). With hot runner system work instruction, get perfect dust-proof and waterproof performance. Matrix LED beads, carve the shape of light, flash the charm of wisdom.

Radiation distance

**45<sub>m</sub>**

High beam brightness

**20000<sub>cd</sub>**

Low beam brightness

**4500<sub>cd</sub>**



## Comfortable riding posture **FREE ON STRETCH**

Easy for foot touching the ground.  
Riders above 180cm, can stretch freely.



## Inline wing type tail-lights **WINGS OF FLYING**

Inline high brightness LED lamps.  
All-in-one light (position light, turning indicators and braking light) integrated into one light with a sense of sharp. Inimitable symbol of identification.



## **DIGITAL CONTACT SWITCH**

Comfortable touching.  
Multifunctional buttons.  
Higher stability.

Front/rear disc brake+EBS assistant system

## EXCELLENT SAFETY AND FLEXIBILITY

Quick response, shorter braking distance.

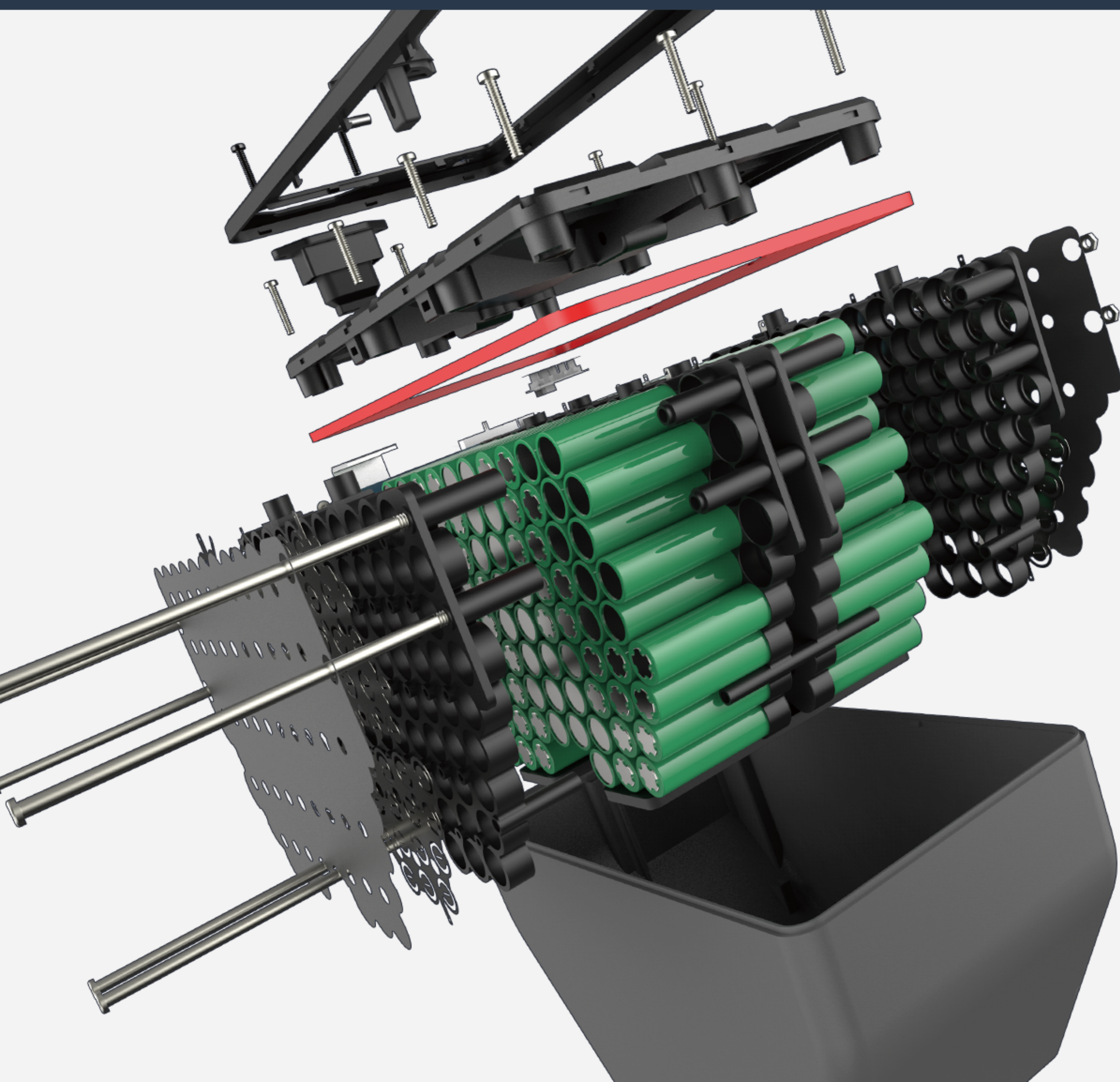
Re-cooperation, extend range.

Dry braking distance

≤ 13<sub>m</sub>

\*These data tested by rider with weight 75kg, at 50km/h. Braking distance could be different with different rider at different road conditions.

\*EBS assistant system is optional subject to country.



## SMALL SIZE, BIG POWER

Exclusive CU customized lithium battery pack

Elegant and Practical (SOC indicated). Weight 10.5kg (light and portable)  
Max. range 85km.

**3** years+  
Life time

**800** times+  
Cycle times

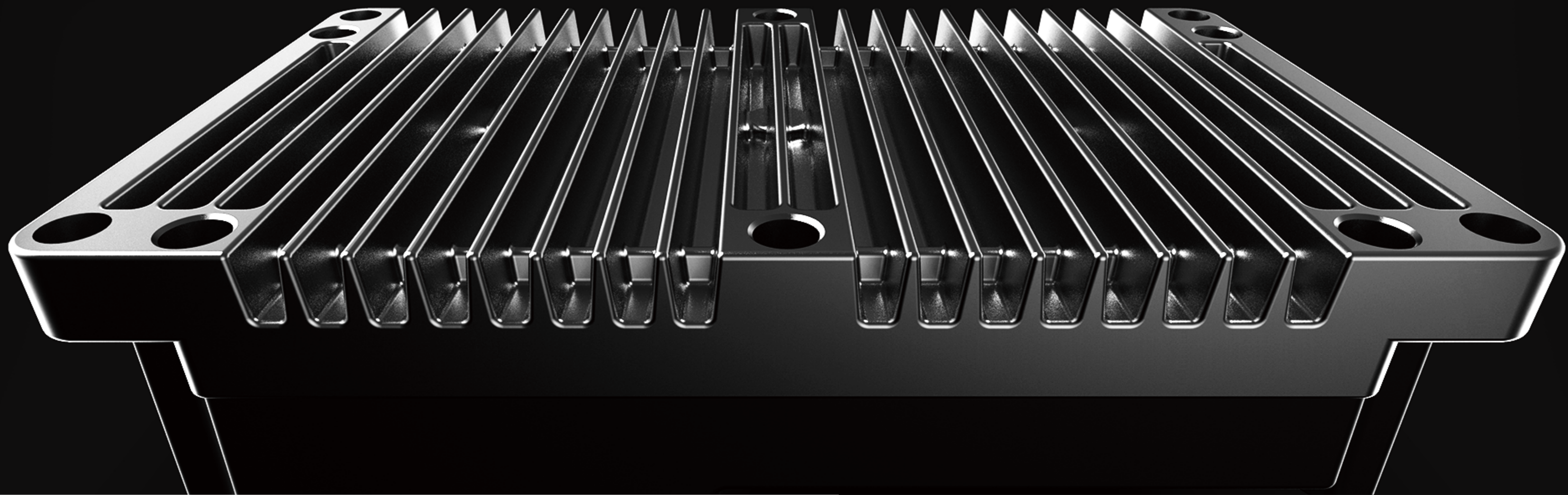
≈ **8** h  
Charging time

**170** pcs  
18650 cells

# FOC vector controller 3.0

## MORE SENSITIVE CONTROL

Precise control. New torque loop.  
Linear output of power. Higher efficiency

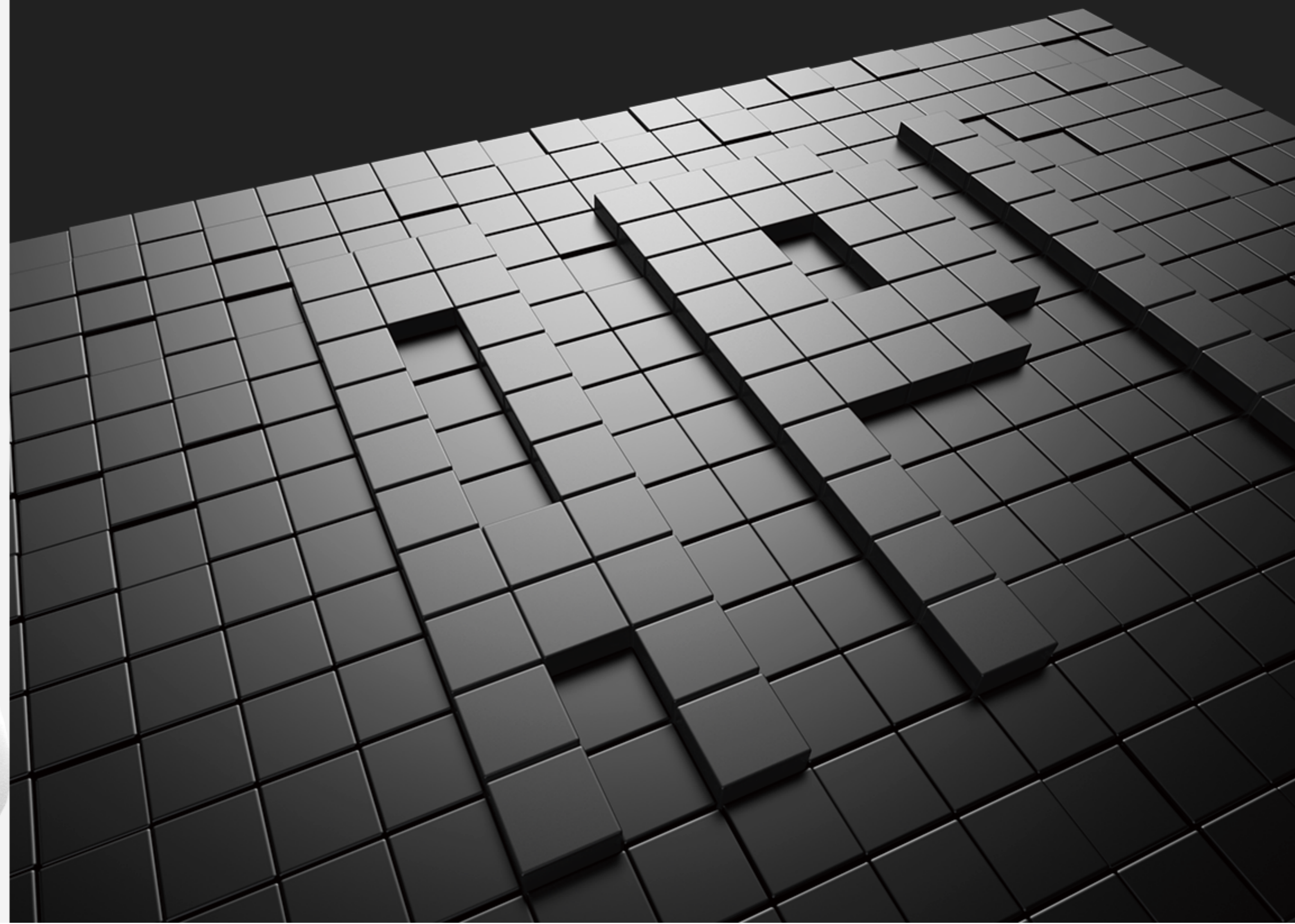


ORIGINAL ITALIAN IMPORTED  
LEATHER (OPTIONAL)



API&CONNECTIVITY WITH OTHER SYSTEM

API is available to be integrated with other sharing  
and/or fleet management system.



# VA (Vertical Alignment) Intelligent high brightness display

VA (Vertical Alignment) multiple function display, self-adjust with light sensing.  
150° wide-angle visible clearly.  
Self-inspection on initiation, safe riding.



Speed



Battery capacity



Intelligent light sense



Cruise



Parking indication



Error report



## INTELLIGENT BMOS V3.3 SYSTEM

Super Soco App is available subject to countries.



Vehicle Inspection



Location



Anti-theft system



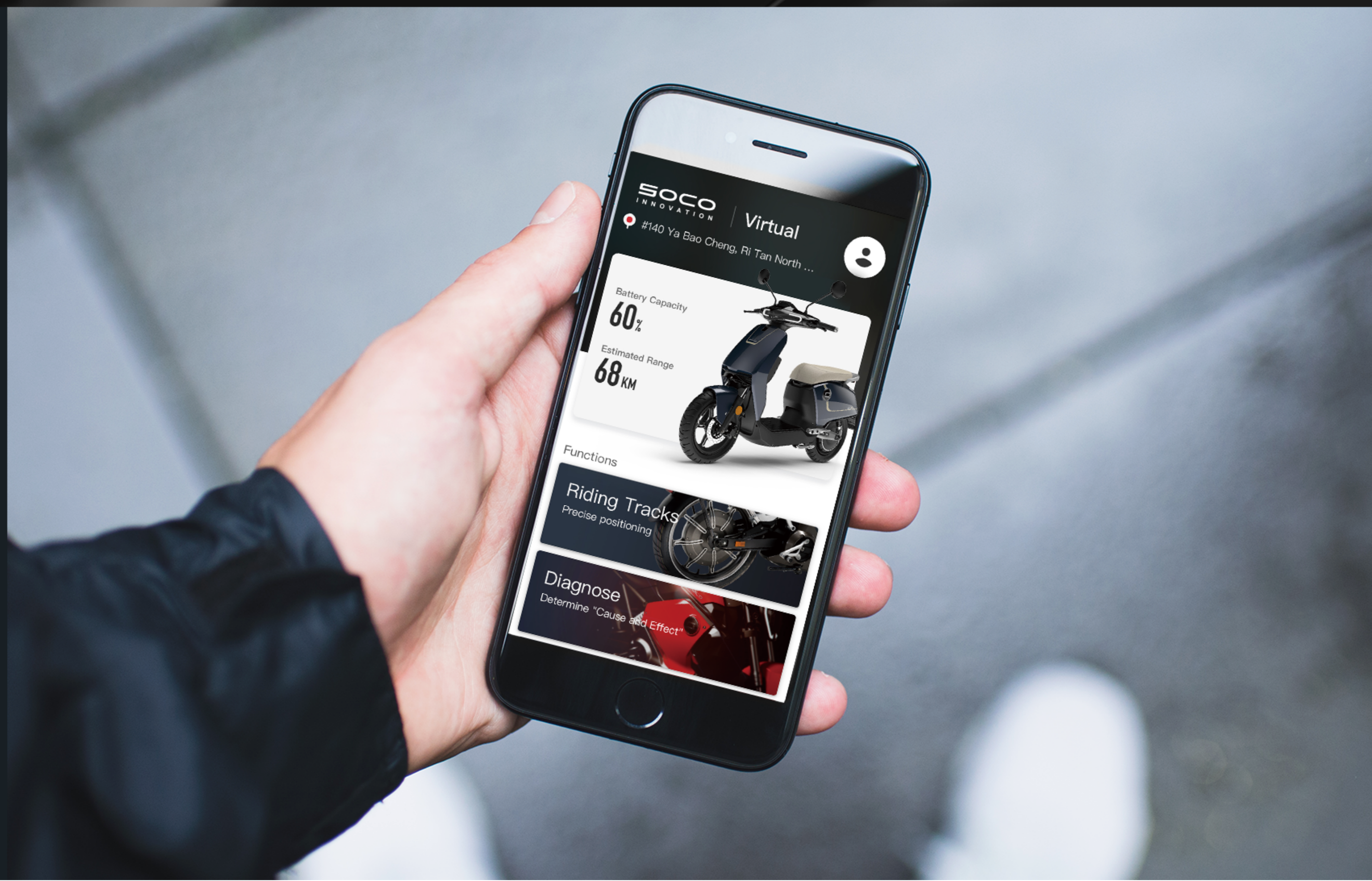
Record



Warning



Navigation



## The Main Specifications

Type:	Lithium battery – Removable	Max Speed:	45KM/H
Battery Capacity:	60V30Ah	Distance Range:	75KM @ 45KM/H Average Speed with 75kg driver
Charging Time:	3–3.5H/each battery	Climbing Capacity:	≤17°
Weight (Excl. Battery):	64KG	Type:	Hub Motor
LxWxH:	1782x727x1087	EEC Power:	1600w
Ground Clearance:	140mm	Max Power (Speed Release):	2000w
Fr/Rr Suspension:	Hydraulic	Rated Torque:	35 N·m
Brakes:	Fr.Disc (180mm) / Re.Disc (180mm)		

